



# MODULAR 4-WAY TWIN PILOT VALVES

## R-433

### Twin Pilot 4-Way Valve



#### Features:

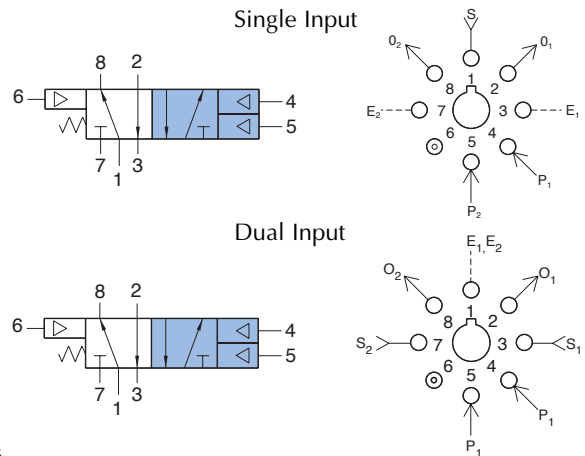
- Indicator shows valve in shaded position
- Micro gap construction - snap action and no blow by
- Dual pilots eliminate shuttle valve
- Balanced design allows speed control at exhausts

#### Performance:

**Flow:** 9 scfm @ 100 psig; 255 l/min @ 6.9 bars  
**Pilot Pressure Minimum:** 40 psig; 2.8 bars  
**Temperature:** 32° to 180° F  
**Working Pressure:** 0 to 150 psig; 0 to 10.3 bars

#### Description:

R-433 is a 5 ported, 4-way valve, with spring return and dual pilots.



## R-434

### Twin Pilot 4-Way Valve



#### Features:

- Indicator shows valve in shaded position
- Micro gap construction - snap action and no blow by
- Dual pilots eliminate shuttle valve
- Balanced design allows speed control at exhausts

#### Performance:

**Flow:** 9 scfm @ 100 psig; 255 l/min @ 6.9 bars  
**Pilot Pressure Minimum:** 20 psig; 1.4 bars  
**Temperature:** 32° to 180° F  
**Working Pressure:** 0 to 150 psig; 0 to 10.3 bars

#### Description:

R-434 is a 5 ported, 4-way, two position, double piloted valve.

